

# 06020SA (2408SB)

60<sup>□</sup>X20<sup>L</sup>

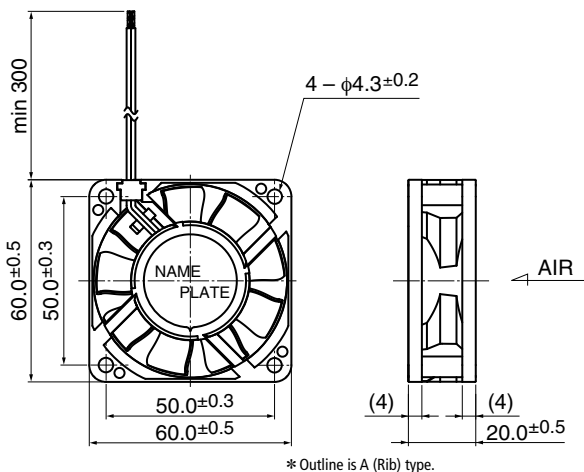
## DC Axial Fan Ball Bearing



### General Specifications

Motor Protection : Auto Restart / Polarity Protection  
 Insulation Resistance : 10MΩ or over with a DC500V Megger  
 Dielectric Withstand Voltage : AC700V 1s  
 Allowable Ambient : -10°C ~ +70°C (Operating)  
 Temperature Range : -40°C ~ +70°C (Storage)  
 non-condensing environment

### Outline



\* Outline is A (Rib) type.

### Expected Life

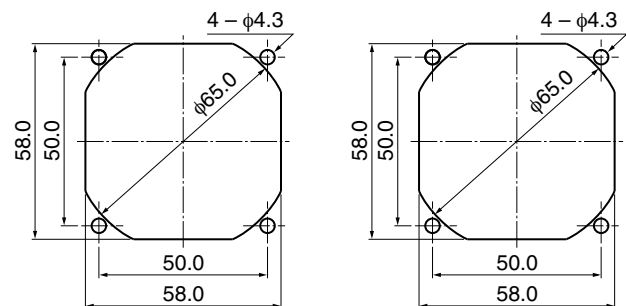
※ Failure Rate: 10% (L10 Life)

60°C 40,000 (Hours)

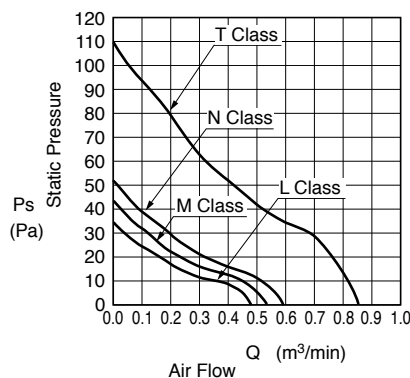
### Panel Out-cuts

(Inlet Side)

(Outlet Side)



### Characteristic Curves



### Material

Casing : Plastic (Black) UL94V-0  
 Impeller : Plastic (Black) UL94V-0  
 Bearing : Ball Bearing  
 Lead Wire : UL3385 AWG26 + : Red, - : Black

### Specifications

| Model           | Product Number | Rating Voltage (V) | Operating Voltage (V) | Current (A)*1 | Input Power (W)*1 | Speed (min-1)*1 | Max Air Flow (m <sup>3</sup> /min)*1 | (CFM)*1 | Max Static Pressure (Pa) | (In H <sub>2</sub> O)*1 | Noise (dB)*1 | Mass (g) |
|-----------------|----------------|--------------------|-----------------------|---------------|-------------------|-----------------|--------------------------------------|---------|--------------------------|-------------------------|--------------|----------|
| 06020SA-12J-AA- | 00             | 12.00              | 6.0 ~ 13.8            | 0.05          | 0.58              | 2800            | 0.36                                 | 12.7    | 21.2                     | 0.09                    | 21.5         | 56       |
| 06020SA-12K-AA- | 00             | 12.00              | 6.0 ~ 13.8            | 0.05          | 0.58              | 3200            | 0.41                                 | 14.5    | 27.6                     | 0.11                    | 23.5         |          |
| 06020SA-12L-AA- | 00             | 12.00              | 6.0 ~ 13.8            | 0.06          | 0.72              | 3600            | 0.47                                 | 16.6    | 34.7                     | 0.14                    | 26.0         |          |
| 06020SA-12M-AA- | 00             | 12.00              | 6.0 ~ 13.8            | 0.08          | 0.96              | 4000            | 0.52                                 | 18.4    | 42.6                     | 0.17                    | 28.5         |          |
| 06020SA-12N-AA- | 00             | 12.00              | 6.0 ~ 13.8            | 0.09          | 1.08              | 4400            | 0.58                                 | 20.5    | 52.1                     | 0.21                    | 30.5         |          |
| 06020SA-12T-AA- | 00             | 12.00              | 6.0 ~ 13.8            | 0.24          | 2.88              | 6400            | 0.86                                 | 30.4    | 109.0                    | 0.44                    | 42.5         |          |
| 06020SA-24J-AA- | 00             | 24.00              | 9.0 ~ 27.6            | 0.03          | 0.72              | 2800            | 0.36                                 | 12.7    | 21.2                     | 0.09                    | 21.5         |          |
| 06020SA-24K-AA- | 00             | 24.00              | 9.0 ~ 27.6            | 0.04          | 0.96              | 3200            | 0.41                                 | 14.5    | 27.6                     | 0.11                    | 23.5         |          |
| 06020SA-24L-AA- | 00             | 24.00              | 9.0 ~ 27.6            | 1.20          | 1.20              | 3600            | 0.47                                 | 16.6    | 34.4                     | 0.14                    | 26.0         |          |
| 06020SA-24M-AA- | 00             | 24.00              | 9.0 ~ 27.6            | 1.44          | 1.44              | 4000            | 0.52                                 | 18.4    | 40.0                     | 0.16                    | 28.5         |          |
| 06020SA-24N-AA- | 00             | 24.00              | 9.0 ~ 27.6            | 1.68          | 1.68              | 4400            | 0.58                                 | 20.5    | 49.1                     | 0.20                    | 30.5         |          |
| 06020SA-24T-AA- | 00             | 24.00              | 9.0 ~ 27.6            | 0.10          | 2.40              | 6400            | 0.86                                 | 30.4    | 109.0                    | 0.44                    | 42.5         |          |

Rotation: Clockwise as seen from the label side  
 Airflow Outlet: Label side

Flange casing available

\*1: Average Values in Free Air